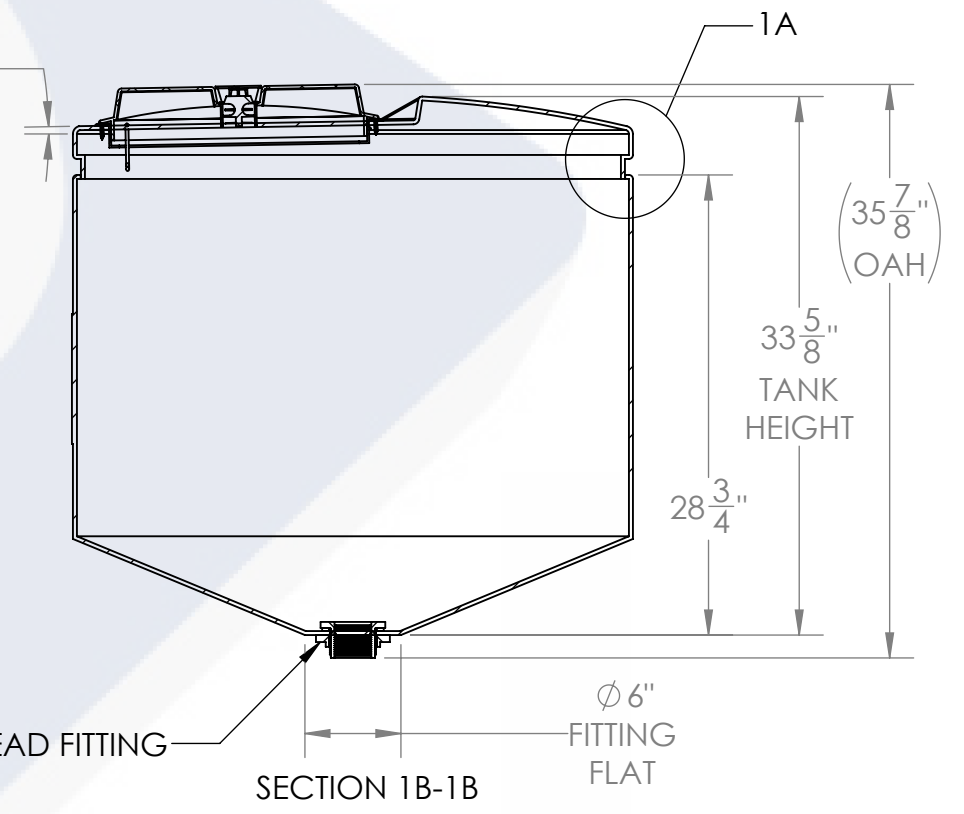
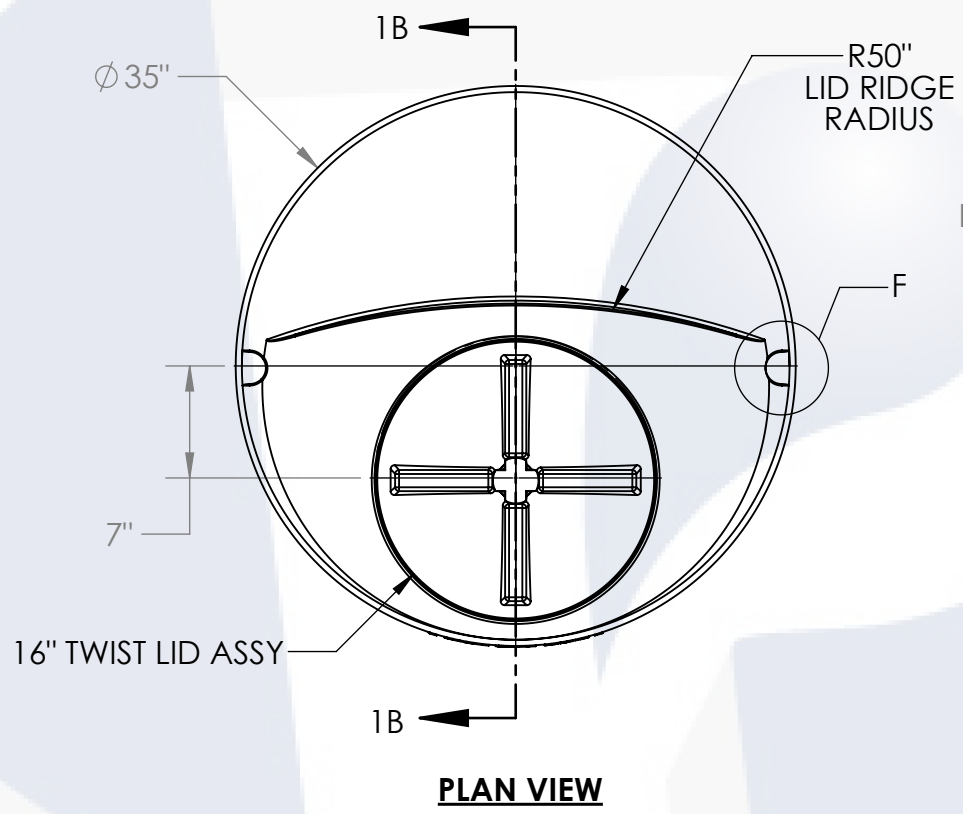


**ISOMETRIC VIEW
(FRONT)**



- NOTES:**
1. CAPACITY: 100 GAL. NOMINAL
 2. TANK MATERIAL: MDPE
 3. SERVICE PRESSURE: ATMOSPHERIC
 4. NSF/ANSI STANDARD 61 CERTIFIED

PROPRIETARY AND CONFIDENTIAL
THE INFORMATION CONTAINED IN THIS DRAWING IS THE SOLE PROPERTY OF PEABODY ENGINEERING. ANY REPRODUCTION IN PART OR AS A WHOLE WITHOUT THE WRITTEN PERMISSION OF PEABODY ENGINEERING IS PROHIBITED.

UNLESS OTHERWISE SPECIFIED:		NAME	DATE			
DIMENSIONS ARE IN INCHES TOLERANCES: ±1/4" ANGULAR: ± .5° ONE PLACE DECIMAL: ± .25 TWO PLACE DECIMAL: ± .125 THREE PLACE DECIMAL: ± .063		DRAWN	SMF 02/01/23			
TANK MATERIAL:	MDPE	CHECKED		PROJECT:	CONE BOTTOM TANKS	
INNER TANK S/N:		ENG APPR.		CUSTOMER:	PEABODY STANDARD	
OUTER TANK S/N:		MFG APPR.		SITE/LOCATION:	-	
CUSTOMER PO#		Q.A.		PART NUMBER:	-	
DO NOT SCALE DRAWING				SIZE	DESC.	REV.
				B	100GAL CONE BOTTOM TANK	-
				SCALE: 1:12	SHEET 1 OF 1	